

2MP WDR Starlight Network Box Camera

IPC562E-DUG



Key Features

Optics

- HD starlight surveillance
- Auto day/night functionality
- Up to 120 dB WDR(Wide Dynamic Range)
- 3D DNR (Digital Noise Reduction)

Compression

- H.265, H.264, MJPEG
- Triple streams
- ROI (Region of Interest)
- 9:16 corridor format

Network

- Optional network interfaces with Ethernet RJ45 and optical SFP
- ONVIF Conformance

Structure

- AC 24V /DC 12 V/PoE with uninterruptible power supply
- Wide temperature range: -20°C to 60°C (-4°F to 140°F)
- Wide voltage range of $\pm 25\%$
- 6 KV surge protection designed for network interface

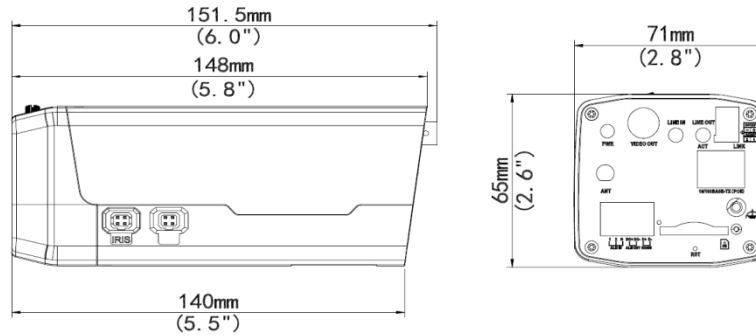
Specifications

| | |
|------------------------|--|
| | IPC562E-DUG |
| Camera | |
| Sensor | 1/1.9" CMOS, progressive scan |
| Day & Night | Automatically removable IR-cut filter(ICR) |
| Shutter | Auto/Manual, 1/6~1/8000 s |
| Min. Illumination | Colour: 0.002 Lux (F1.2, AGC ON) 0 Lux with IR |
| S/N | >52dB |
| WDR | 120dB |
| Lens Mount | CS |
| DC-Iris | DC 4V (4-Pin) |
| Motor Zoom/focus | DC 5V (4-Pin) |
| Video | |
| Max. Resolution | 1920 × 1080 |
| Video Compression | H.265, H.264 |
| Frame Rate | 1080P (1920×1080): Max. 60 fps; 720P (1280×720): Max. 60 fps; D1 (720×576): Max. 60 fps |
| 9:16 Corridor Mode | Supported |
| ROI | Supported |
| HLC | Supported |
| ABF | Supported |
| Defog | Optical/Digital |
| Video Streaming | Triple |
| OSD | Up to 8 OSDs |
| Privacy Mask | Up to 4 areas |
| Audio | |
| Audio Compression | G.711 |
| Two-way Talking | Supported |
| Storage | |
| Edge Storage | Micro SD, up to 128 GB |
| Network | |
| Protocols | L2TP, IPv4, IGMP, ICMP, ARP, TCP, UDP, DHCP, PPPoE, RTP, RTSP, RTCP, DNS, DDNS, NTP, FTP, UPnP, HTTP, HTTPS, SMTP, SNMP, SIP, 802.1x |
| Compatible Integration | ONVIF, API |
| Interface | |
| Audio I/O | 3.5 mm audio interface |
| | Input: impedance 35 kΩ; amplitude 2 V [p-p] |
| | Output: impedance 600 Ω; amplitude 2 V [p-p] |
| Alarm I/O | 2 / 1 |
| Serial Port | 1 RS485 (support Pelco-D/P) |
| Network | 100M/1000M Base-FX SFP + 100M/1000M Base-TX Ethernet |
| Video Output | 1 BNC, impedance 75 Ω; amplitude 1 V [p-p] |

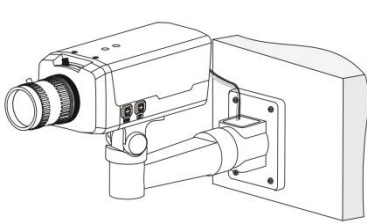
General

| | |
|------------------------|--|
| Power | 24 V AC, 12 V DC, or PoE (IEEE802.3 af) |
| | Power consumption: 4.8W (6.8W with ICR on) |
| Dimensions (L x W x H) | 151.5 x 71 x 65 mm (6.0" x 2.8" x 2.6") (excluding the lens) |
| Weight | 0.48 kg (1.1 lb) |
| Working Environment | -20°C ~ 60°C (-4°F ~ 140°F), Humidity ≤ 95% RH(non-condensing) |

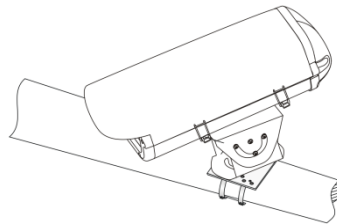
Dimensions



Installation



Bare mount



Housing mount

Accessories

| Installation mode | Accessories | Description |
|-----------------------|--|---|
| Bare mount | TR-UM06-A-IN | Indoor wall, pendant, or desktop installation |
| Housing mount | Indoor housing: HS-108-IN Outdoor housing: HS-215S-IN, HS-215SHB-IN | Outdoor installation |
| Corridor Format mount | L-shaped mount: TR-SM06-IN | / |

Zhejiang Uniview Technologies Co., Ltd.

Building No.10, Wanlun Science Park, Jiangling Road 88, Binjiang District, Hangzhou, Zhejiang, China (310051)

 Email: overseasbusiness@uniview.com; globalsupport@uniview.com
<http://www.uniview.com>

©2015 Zhejiang Uniview Technologies Co., Ltd. All rights reserved.

*Product specifications and availability are subject to change without notice.